



**GIL TAJHIZ**

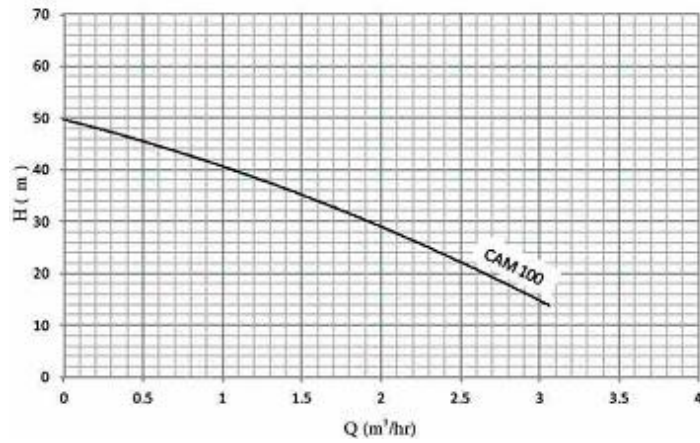
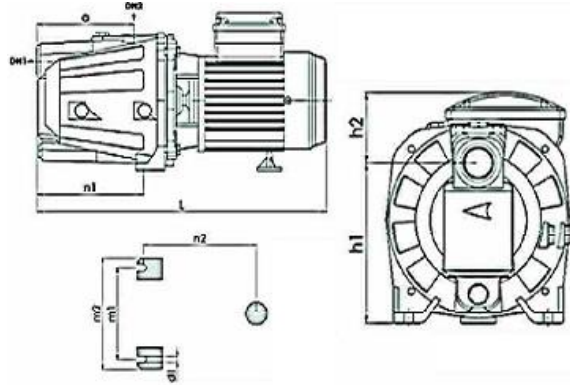
**DOMESTIC WATER PUMP**

**SELF PRIMING JET PUMP**

**CENTRIFUGAL WATER PUMP**

**PREPHERAL WATER PUMP**

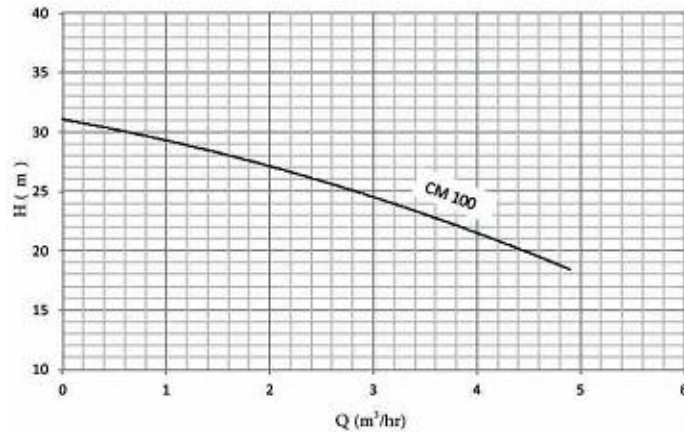
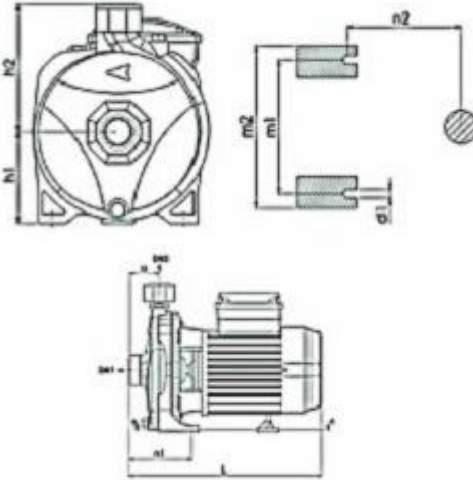
# JET PUMP: CAM 100



Pump Type	Weight (kg)	DN1 (INCH)	DN2 (INCH)	h1 (mm)	h2 (mm)	L (mm)	a (mm)	b (mm)	n1 (mm)	n2 (mm)	n3 (mm)	n4 (mm)	m1 (mm)	m2 (mm)	m3 (mm)	m4 (mm)	d1 (mm)
NM-CAM100	16.6	1"	1"	151	66	423	140	-	155	184	-	-	140	170	-	-	9

Pump Type	IP	Current (A) 1Phase	Current (A) 3Phase	Voltage (v)	Power (HP)	Speed (rpm)
NM-CAM100	54	4.7	2	220	1	2800

# CENTRIFUGAL PUMP: CM100

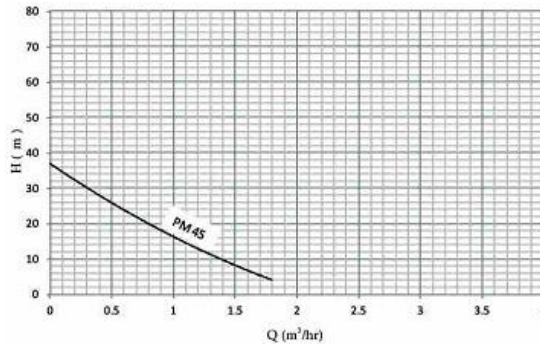
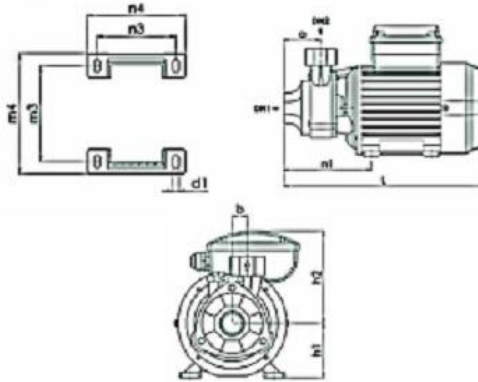


Pump Type	Weight (kg)	DR1 (INCH)	DN2 (INCH)	h1 (mm)	h2 (mm)	L (mm)	a (mm)	b (mm)	n1 (mm)	n2 (mm)	n3 (mm)	n4 (mm)	m1 (mm)	m2 (mm)	m3 (mm)	m4 (mm)	d1 (mm)
NM-CM100	11	1"	1"	97	136	300	45	-	98	118	-	-	140	170	-	-	9

جدول مشخصات الکتریکی

Pump Type	IP	Current (A) 1Phase	Current (A) 3Phase	Voltage (v)	Power (HP)	Speed (rpm)
NM-CM100	54	5.7	2	220	1	2800

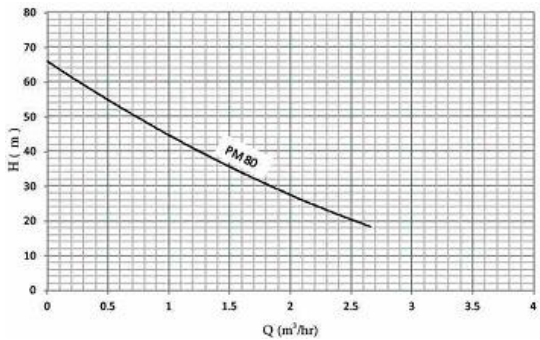
# PREPHERAL PUMP: PM45 & PM80



Pump Type	Weight (kg)	DN1 (DN34)	DN2 (DN34)	h1 (mm)	h2 (mm)	L (mm)	a (mm)	b (mm)	n1 (mm)	n2 (mm)	n3 (mm)	n4 (mm)	m1 (mm)	m2 (mm)	m3 (mm)	m4 (mm)	d1 (mm)
NM-PM45	6.3	1"	1"	63	111	261	51	20	115	-	20	100	-	-	100	128	7

جدول مشخصات الکتریکی

Pump Type	IP	Current (A) 1Phase	Current (A) 3Phase	Voltage (v)	Power (HP)	Speed (rpm)
NM-PM45	54	2.3	-	220	0.5	2800

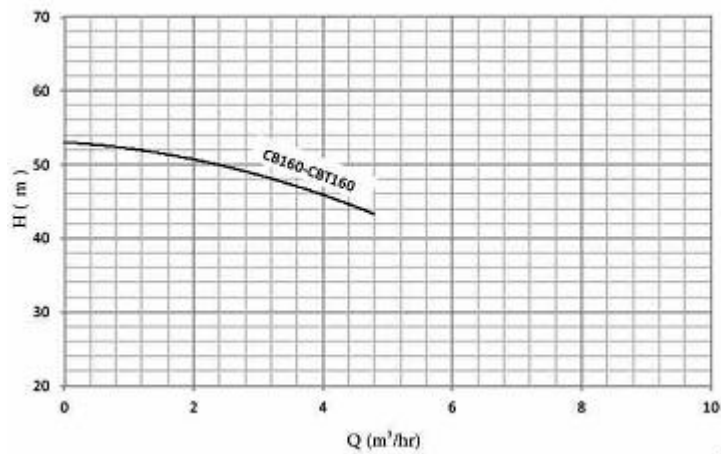
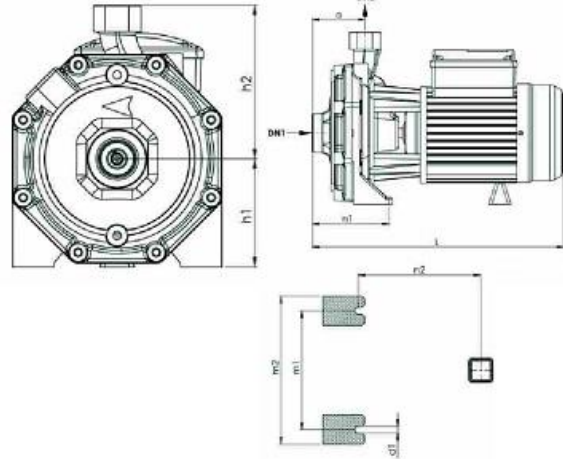


Pump Type	Weight (kg)	DN1 (DN34)	DN2 (DN34)	h1 (mm)	h2 (mm)	L (mm)	a (mm)	b (mm)	n1 (mm)	n2 (mm)	n3 (mm)	n4 (mm)	m1 (mm)	m2 (mm)	m3 (mm)	m4 (mm)	d1 (mm)
NM-PM80	10	1"	1"	71	121	292	54	20	127	-	20	112	-	-	110	138	7

جدول مشخصات الکتریکی

Pump Type	IP	Current (A) 1Phase	Current (A) 3Phase	Voltage (v)	Power (HP)	Speed (rpm)
NM-PM80	54	5.2	2	220	1	2800

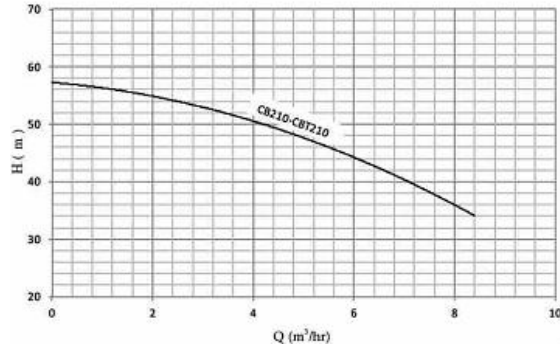
## TWO IMPELLER: CB 160/ 210/ 310



Pump Type	Weight (kg)	DN1 (INCH)	DN2 (INCH)	h1 (mm)	h2 (mm)	L (mm)	a (mm)	b (mm)	n1 (mm)	n2 (mm)	n3 (mm)	n4 (mm)	m1 (mm)	m2 (mm)	m3 (mm)	m4 (mm)	d1 (mm)
NM-CB160 & CBT160	24.7	1 1/4"	1 1/4"	110	156	387	82	-	118	175	-	-	170	212	-	-	10

جدول مشخصات الکتریکی

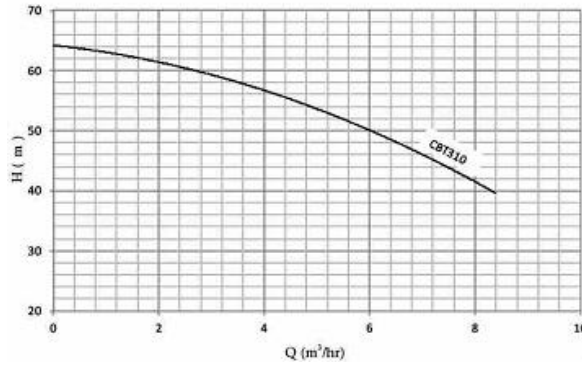
Pump Type	IP	Current (A) 1Phase	Current (A) 3Phase	Voltage (V)	Power (HP)	Speed (rpm)
NM-CB160 & CBT160	54	10.2	4.1	220*380	1.5	2800



Pump Type	Weight (kg)	DN1 (DNCH)	DN2 (DNCH)	h1 (mm)	h2 (mm)	L (mm)	a (mm)	b (mm)	n1 (mm)	n2 (mm)	n3 (mm)	n4 (mm)	m1 (mm)	m2 (mm)	m3 (mm)	m4 (mm)	d1 (mm)
NM-CB210 & CBT210	25.6 24.7	11/4"	11/4"	110	156	387	82	-	118	175	-	-	170	212	-	-	10

جدول مشخصات الکتریکی

Pump Type	IP	Current (A) 1Phase	Current (A) 3Phase	Voltage (v)	Power (HP)	Speed (rpm)
NM-CB210 & CBT210	54	11.5	4.8	220*380	2	2800



Pump Type	Weight (kg)	DN1 (DNCH)	DN2 (DNCH)	h1 (mm)	h2 (mm)	L (mm)	a (mm)	b (mm)	n1 (mm)	n2 (mm)	n3 (mm)	n4 (mm)	m1 (mm)	m2 (mm)	m3 (mm)	m4 (mm)	d1 (mm)
NM-CBT310	25.6	11/4"	11/4"	110	156	387	82	-	118	175	-	-	170	212	-	-	10

جدول مشخصات الکتریکی

Pump Type	IP	Current (A) 1Phase	Current (A) 3Phase	Voltage (v)	Power (HP)	Speed (rpm)
NM-CBT310	54	-	5.2	220*380	3	2800

## GILTAJHIZ COMPANY

### Haed office

No. 10, Pedar Commercial Building, in front of Mehr Eqtesad Bank, Ansari blvd., Rasht, Iran  
Tel. +9813 3372 2478

### After sale service office

First floor, Caspian Commercial Building, Motahari blvd. Rasht, Iran  
Tel. +9813 3325 1250

Mobile in Azerbaijani: +989114310051

Mobile in English: +989113344237

Email: info@GILTAJHIZ.ir